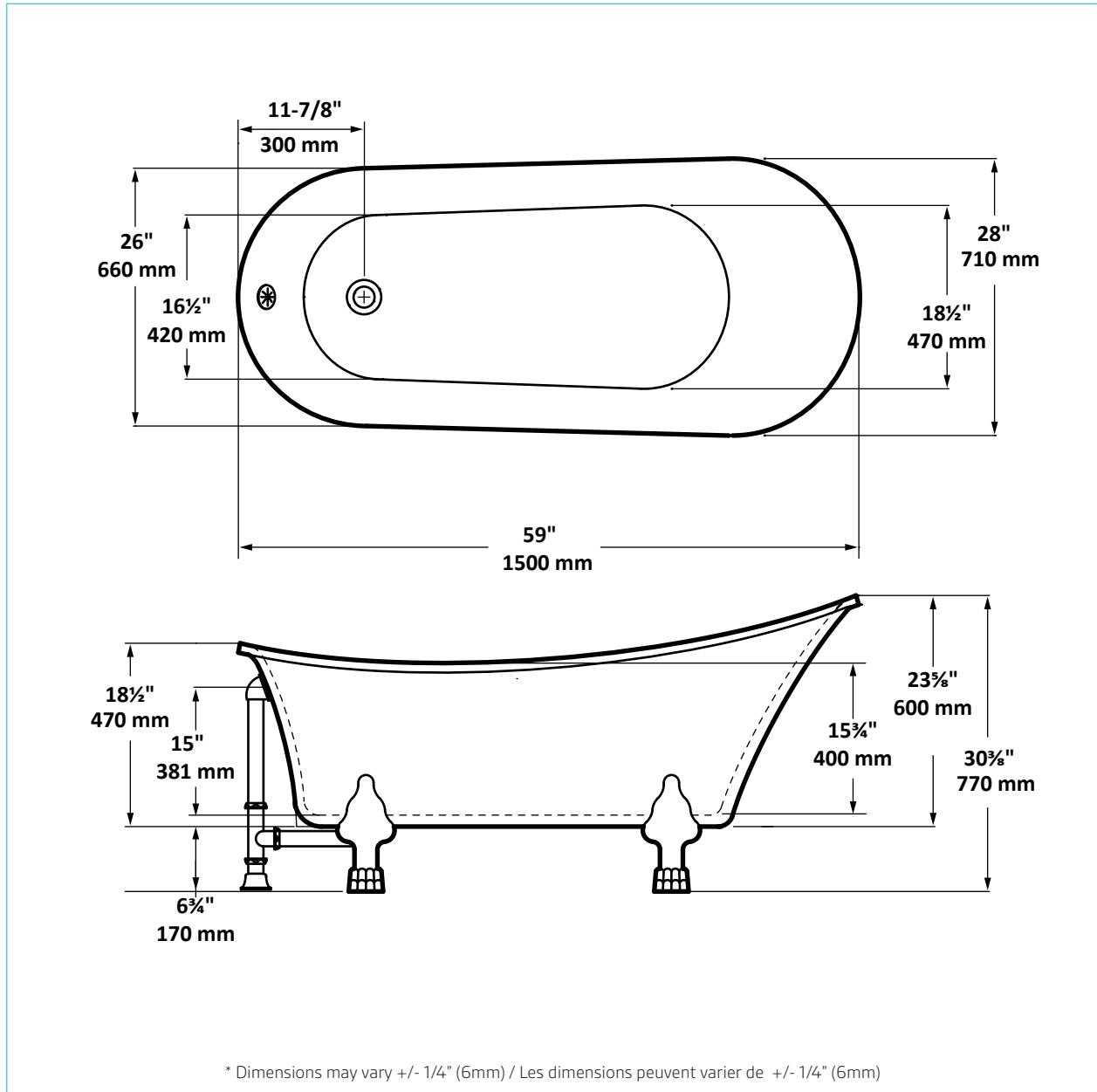




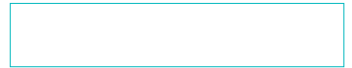
**FREESTANDING  
BATHTUBS**

**BAIGNOIRES  
AUTOPORTANTES**

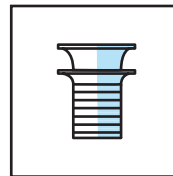
**BT-830-59-BLK**



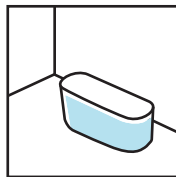
DIMENSIONS		WEIGHT POIDS	MATERIAL MATERIEL	OVERFLOW HEIGHT HAUTEUR DU TROP-PLEIN	WATER CAPACITY CAPACITÉ DE L'EAU
59 x 28 x 30.37 " 1500 x 710 x 580 mm		120 lbs 54 Kg	Acrylic Acrylique	15" 380mm	40 gal 181 lts
FINISH FINITION	DRAIN LOCATION LOCATION DU DRAIN	Corner Coin	PIECES PIÈCES	COMPLIANCE CERTIFICATIONS:	
Glossy Brillant			1 pc	Uniform Plumbing Code National Plumbing Code of Canada CSA B45.5-17/IAPMO Z124-2017	



Pure acrylic construction reinforced by fiberglass  
*Construction en acrylique renforcée de fibre de verre*



Pop-up drain included  
*Drain pop-up inclus*



Freestanding installation  
*Installation autoportante*



cUPC Certified  
*Certifié cUPC*